



# PIGNON COURONNE / RING AND PINION

## DIFFÉRENTIEL AVANT - FRONT AXLE

### DANA 30

CJ-YJ-TJ 72-06

Case 3.54- low / 3.73+ high



#### Ratio

3.54

3.73

4.10

4.56

4.88

#### CJ 72-86

**30D/354**

**30D/373**

**30D/410**

**30D/456**

**30D/488**

#### YJ 87-95

**30D/354R**

**30D/373R**

**30D/410R**

**30D/456R**

**30D/488R**

#### TJ 97-06

**30D/354T**

**30D/373T**

**30D/410T**

**30D/456T**

**30D/488T**



Shims kit CJ-YJ **#30D/KIT**  
Shims kit TJ **#30D/KITTJ**



Kit bearing+shims CJ-YJ **#30D/KITC**  
Kit bearing+shims TJ **#30D/KITCTJ**



Cage basse/low case CJ-YJ-TJ **#30D/CL**  
Cage haute/high case CJ-YJ-TJ **#30D/CH**

## DIFFÉRENTIEL ARRIÈRE - REAR AXLE

### DANA 35

YJ 87-95 - TJ 97-06

Case 3.07 low / 3.54+ high



#### Ratio

3.07

3.54

3.73

4.10

4.56

4.88

**#35D/307**

**#35D/354**

**#35D/373**

**#35D/410**

**#35D/456**

**#35D/488**



Kit de shims-shims kit YJ-TJ  
**#35D/KIT**



Kit de shims+bearing  
bearing and shims kit YJ-TJ  
**#35D/KITC**



Cage basse **35D/CL** 87-89  
Low case **35D/CLC** 90-93  
**35D/CLABS** 93-06

Cage haute **35D/CH** 87-89  
High case **35D/CHC** 90-93  
**35D/CHABS** 93-06



# PIGNON COURONNE / RING AND PINION

## DIFFÉRENTIEL ARRIÈRE - REAR AXLE

### DANA 44

CJ 72-75 - CJ 86 - TJ 97-06

Case 3.73- low / 3.92+ high



#### Ratio

3.54

3.73

4.09

4.56

4.88

5.38

#44D/354

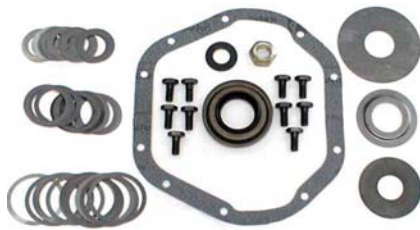
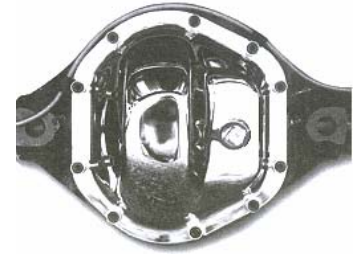
#44D/373

#44D/409

#44D/456

#44D/488

#44D/538



Kit de shims-shims kit CJ-TJ  
#44D/KIT



Kit de shims+bearing  
bearing and shims kit CJ-TJ  
#44D/KITC



Cage basse/low case #44D/CL  
Cage haute/high case #44D/CH

## DIFFÉRENTIEL ARRIÈRE - REAR AXLE

### AMC 20

CJ 76-86

Case 3.07+ high



#### Ratio

3.54

3.73

4.10

4.56

#AMC/354

#AMC/373

#AMC/410

#AMC/456



Kit de shims-shims kit CJ  
#AMC/KIT



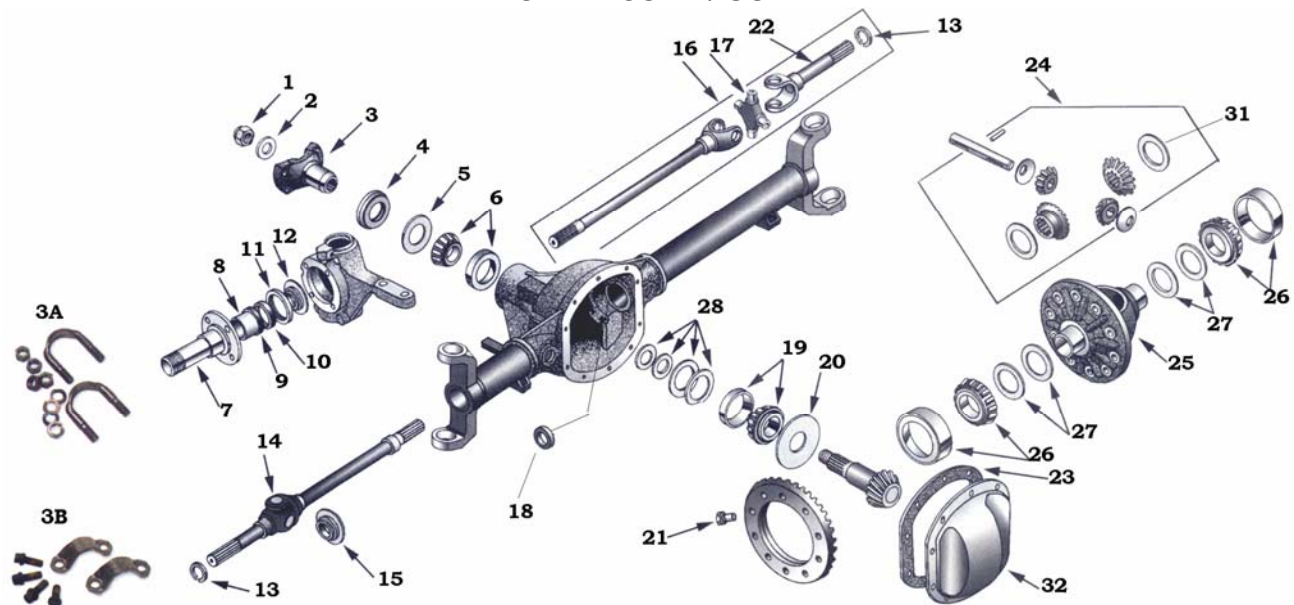
Kit de shims+bearing  
bearing and shims kit CJ  
#AMC/KITC



Cage haute / High case  
#AMC/CH



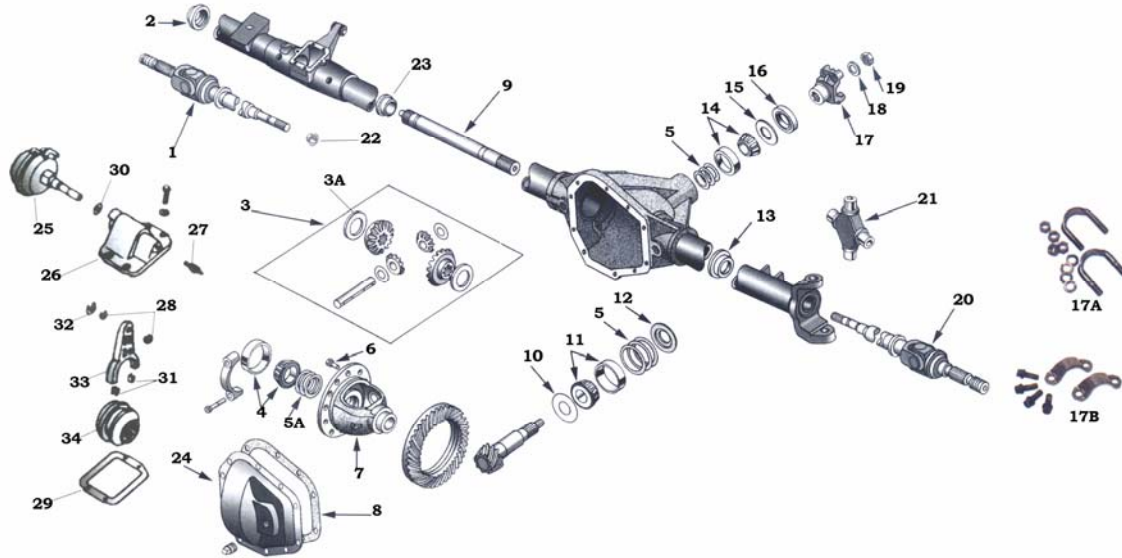
# DIFFÉRENTIEL AVANT DANA 30 FRONT AXLE JEEP CJ 72-86



#	Part #	Description
1	900101	Pinion nut
2	900102	Pinion washer
3	900103	Pinion yoke,u-bolt style 26 splines(74-80)
3	900104	Pinion yoke,strap-bolt style 26 splines(81-86)
3A	900107	Yoke u-bolts kit
3B	900108	Yoke strap-bolts kit
4	900106	Pinion oil seal
5	900401	Outer pinion oil slinger
6	02820-02872	Outer pinion bearing set
7	900412	Splindle (72-77) with drum brakes
7	900413	Splindle (77-86) with disc brakes
7A	900442	Splindle to steering knuckle bolts (78-86)
8	900414	Splindle bearing
9	900415	Splindle small v-ring seal
10	900416	Splindle trust washer (brass) drum brakes
10	900417	Splindle trust washer (plastic) disc brakes
11	900418	Splindle seal (72-76) with drum brakes
11	900419	Splindle large v-ring seal (77-86)with disc brakes
11	900411	Splindle bearing-seal kit (77-86) (#8-9-10-11)
12	900420	Outer axle dust shield (77-86)with discs brakes
13	900421	Outer axle snap ring
14	900430	Axle shaft ass.passenger (77-82)with disc brakes
14	900431	Axle shaft ass.passenger (82-86)with wide trac axle
15	900422	Inner axle dust shield (72-86)
16	900432	Axle shaft ass.driver (77-82)with disc brakes
16	900433	Axle shaft ass.driver(82-86)with wide trac axle
17	8126637S	Spicer axle u-joint HD non-greasable
17A	8126637S-G	Spicer axle shaft u-joint HD greasable
18	900423	Inner axle oil seal (per axle)
19	HM-88649 / HM-88610	Inner pinion bearing set
20	900424	Inner pinion oil slinger
21	900425	Ring gear bolt kit
22	900437	Outer axle left or right
23	900439	Differential cover gasket
24	30D/SPGK	Standard differential gear set (27 splines)
25	30D/CH	Standard differential case (3:73-5:38 ratio)
25	30D/CL	Standard differential case (2:72-3:54 ratio)
26	LM-501349 / LM-501314	Differential carrier bearing set
27	900428	Differential case shim kit (include #23)
28	900429	Differential pinion shim kit (include #1-23)
29	30D/KIT	Complete diff. shim kit (include #1-23-27-28)
30	900438	Inner pinion baffle (not shown)
31	900427	Side gear trust washer
32	304M30	Differential cover stainless (include bolts-gasket)



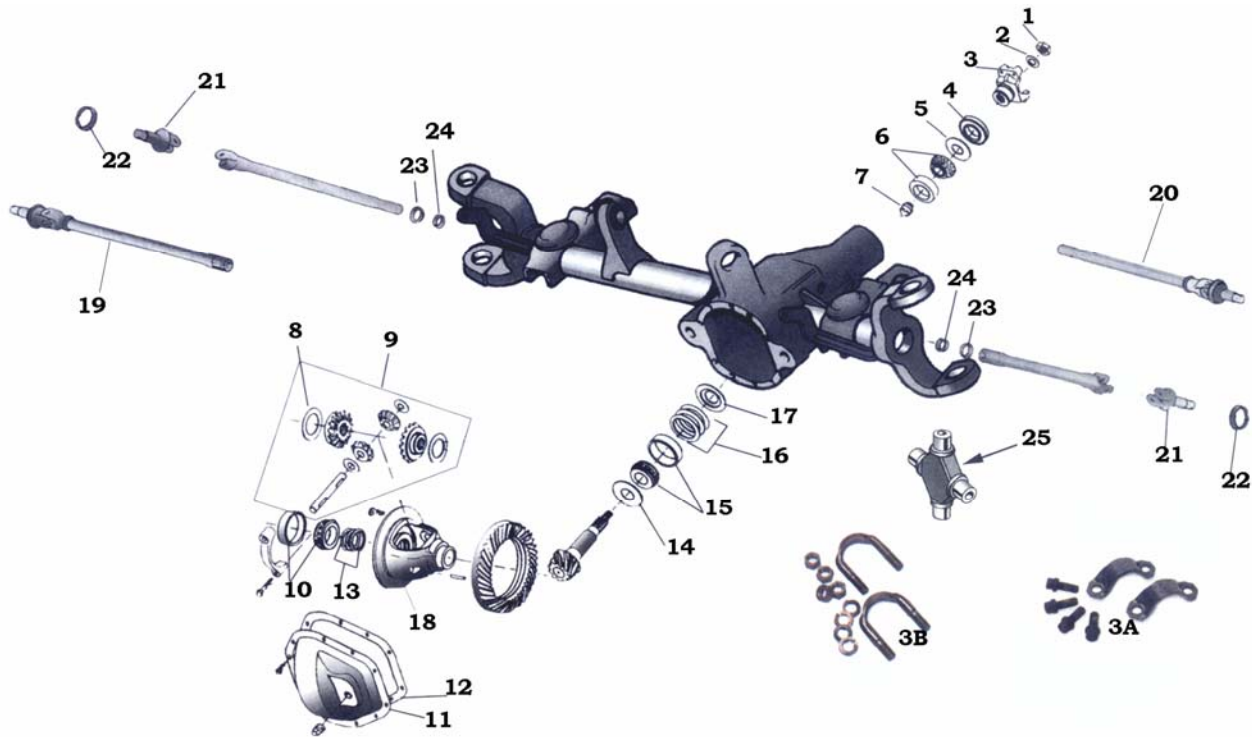
## DIFFÉRENTIEL AVANT DANA 30 FRONT AXLE JEEP YJ 87-95



#	Part #	Description
1	<b>900516</b>	Axle shaft passenger side outer (87-95)
1	<b>900513</b>	Axle shaft passenger side outer (90-95 ABS)
2	<b>900515</b>	Axle shaft seal passenger side (87-95)
3	<b>30D/SPGK</b>	Standard differential gear set
3A	<b>30D/SGW</b>	Side gear differential trust washer
4	<b>LM-501349 / LM-501314</b>	Differential carrier bearing set
5	<b>900429</b>	Pinion bearing shim kit (include #8-19)
5A	<b>900428</b>	Differential case shim kit (include #8)
6	<b>900425</b>	Ring gear bolt kit
7	<b>30D/CL</b>	Standard differential case (2:73 - 3:54 ratio)
7	<b>30D/CH</b>	Standard differential case (3:73 - 4:56 ratio)
8	<b>900439</b>	Differential cover gasket
9	<b>900518</b>	Axle shaft passenger side inner
10	<b>900424</b>	Inner pinion oil slinger
11	<b>900436</b>	Inner pinion bearing set
12	<b>900502</b>	Inner pinion bearing baffle
13	<b>900423</b>	Inner axle shaft seal driver side
14	<b>900410</b>	Outer pinion bearing set
15	<b>900401</b>	Outer pinion oil slinger
16	<b>900106</b>	Pinion oil seal
17	<b>900136</b>	Pinion yoke (strap-bolts style)
17	<b>900103</b>	Pinion yoke (u-bolts style)
17A	<b>900107</b>	Pinion yoke u-bolts kit
17B	<b>900108</b>	Pinion yoke strap-bolts kit
18	<b>900102</b>	Pinion nut washer
19	<b>900101</b>	Pinion nut
20	<b>900514</b>	Axle shaft driver side (87-95)
20	<b>900511</b>	Axle shaft driver side (90-95 ABS)
21	<b>8126637S</b>	Spicer axle u-joint HD non-greasable (87-94)
21	<b>5-760X</b>	Spicer axle u-joint HD non-greasable (95)
21	<b>8126637S-G</b>	Spicer axle u-joint HD greasable (87-94)
21	<b>8126638S-G</b>	Spicer axle u-joint HD greasable (95)
22	<b>900510</b>	Outer bearing (87-89)
22	<b>900509</b>	Outer bushing (90-95)
23	<b>900508</b>	Inner bushing/bearing (87-89)
23	<b>900507</b>	Inner bushing/bearing (90-95)
24	<b>304CM30</b>	Diff. cover stainless (include bolt gasket)
25	<b>900504</b>	Front axle disconnect (87-90)
25	<b>900505</b>	Front axle disconnect (91-95)
26	<b>900506</b>	Housing cover (91-95)
27	<b>900521</b>	Switch assembly (91-95)
28	<b>900522</b>	Shift fork snap ring (87-95)
29	<b>900503</b>	Disconnect cover gasket (87-95)
30	<b>900523</b>	Disconnect o ring (87-95)
31	<b>900524</b>	Disconnect fork insert (87-95)
32	<b>900501</b>	Disconnect retaining clip (87-95)
33	<b>900525</b>	Disconnect shift fork (87-95)
34	<b>900526</b>	Disconnect shift fork (collar 87-95)



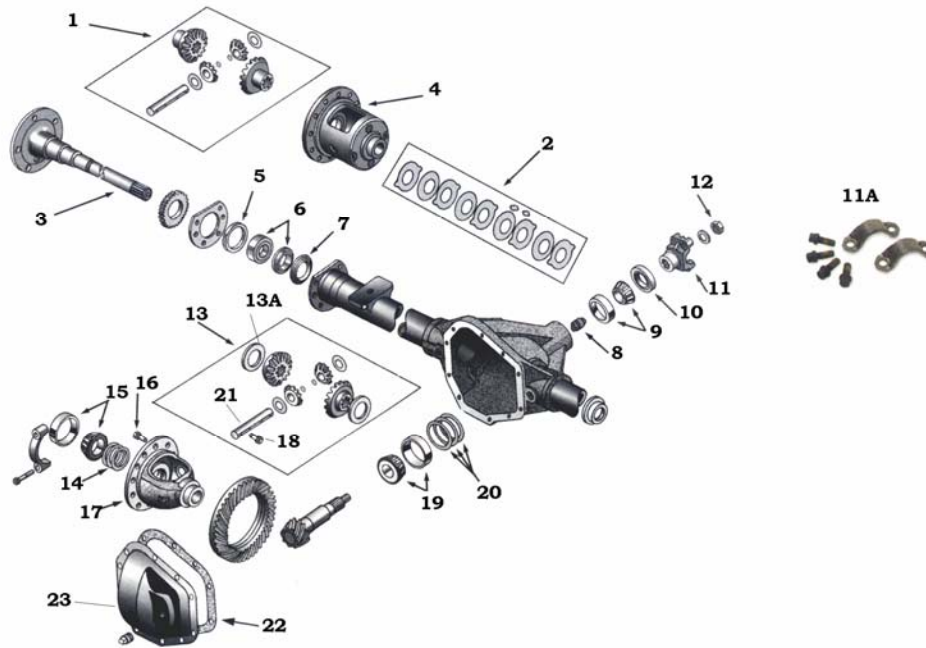
## DIFFÉRENTIEL AVANT DANA 30 FRONT AXLE JEEP TJ 1997-2006



#	Part #	Description
1	900101	Pinion nut
2	900102	Pinion nut washer
3	900104	Pinion yoke strap bolts style
3	900103	Pinion yoke u-bolts style
3A	900108	Pinion yoke strap-bolts kit
3B	900107	Pinion yoke u-bolts kit
4	900106	Pinion oil seal
5	900401	Outer pinion oil slinger
6	HM-86649 / HM-86610	Outer pinion bearing
7	900605	Collapsible pinion spacer
8	900512	Side gear thrust washer
9	30D/SPGK	Standard differential gear set
10	LM-501349 / LM-501314	Differential carrier bearing set
11	304M30	Stainless steel differential cover (include bolts-gasket)
12	900439	Differential cover gasket
13	900428	Differential case shim kit (include #12)
14	900424	Inner pinion oil slinger
15	HM-88649 / HM-88610	Inner pinion bearing set
16	900429	Pinion bearing shim kit (include #1-12)
17	900502	Inner pinion bearing baffle
18	30D/CL	Standard differential case (3.07-3.55)
18	30D/CH	Standard differential case (3.73-4.88)
19	900619	Axle shaft passenger side (anti-lock brake)
19	44D/666	Axle shaft passenger side (without anti-lock brake)
20	900617	Axle shaft driver side (anti-lock brake)
20	44D/667	Axle shaft driver side (without anti-lock brake)
21	900615	Outer axle shaft (anti-lock brake)
21	900614	Outer axle shaft (without anti-lock brake)
22	900613	Outer axle dust shield
23	900610	Inner axle dust shield (plastic)
24	900423	Inner axle shaft seal
25	5-760X	Spicer axle u-joint (non-greasable)
25	8126638S-G	Spicer axle u-joint (greasable)



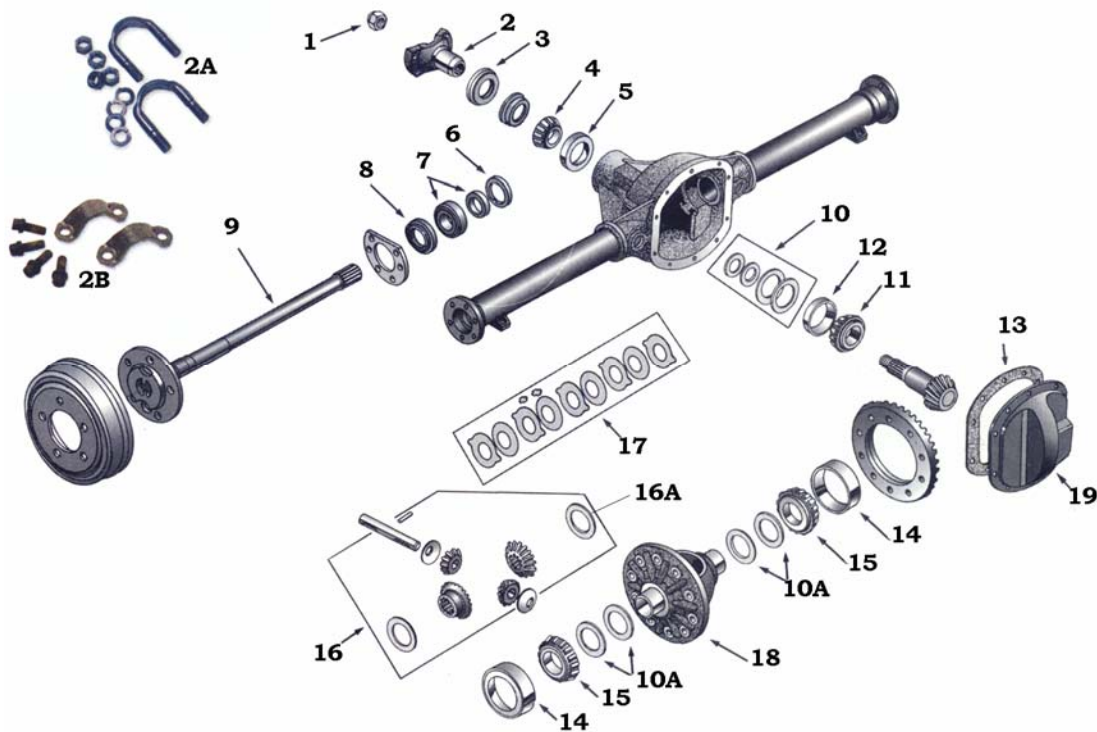
## DIFFÉRENTIEL ARRIÈRE DANA 35 REAR AXLE JEEP YJ 87-95, TJ 97-06



#	Part #	Description
1	<b>35D/TLKC</b>	Trac lok differential gear+disc kit (87-06)include#2
2	<b>35D/TLCP</b>	Trac lok disc kit (YJ-TJ 87-06)
3	<b>900212</b>	Axle shaft passenger (87-89)include #5-6
3	<b>900213</b>	Axle shaft pass.(YJ,TJ 90-06)c-clip style no ABS
3	<b>900214</b>	Axle shaft driver (87-89) include #5-6
3	<b>900215</b>	Axle shaft driver (YJ,TJ 90-06)c-clip style no ABS
3	<b>900216</b>	Axle shaft passenger (YJ,TJ 90-06) ABS
3	<b>900217</b>	Axle shaft driver (YJ,TJ 90-06) ABS
4	<b>35D/TLCHC</b>	Trac lok differential case 3.55-4.88 ratio (87-06)
4	<b>35D/TLCLC</b>	Trac lok differential case 3.07 ratio (87-06)
5	<b>900222</b>	Outer axle seal (YJ 87-89)
5	<b>900223</b>	Outer axle seal (YJ,TJ 90-06)
6	<b>SET9</b>	Wheel bearing (87-89)
6	<b>900221</b>	Wheel bearing (90-06)
7	<b>900224</b>	Inner axle seal (87-89)
8	<b>900207</b>	Collapsible pinion spacer (YJ,TJ 87-06)
9	<b>HM-86649 / HM-86610</b>	Pinion outer bearing set (YJ,TJ 87-06)
10	<b>900205</b>	Pinion oil seal (YJ,TJ 87-06)
11	<b>900202</b>	Pinion yoke(strap,bolts style)(87-93)3 7/32"u-joint
11	<b>900203</b>	Pinion yoke(strap-bolts style)(94-95)3 5/8"u-joint
11	<b>900204</b>	Pinion yoke(strap-bolts style)(97-06)3 7/32"u-joint
11A	<b>900108</b>	Yoke strap-bolts kit
12	<b>35D/PNUT</b>	Pinion nut
13	<b>35D/SPGKC</b>	C-clip and non c-clip differential gear set (87-93)
13	<b>35D/SPGKABS</b>	C-clip differential gear set (93-06 YJ,TJ)
13A	<b>35D/SGW</b>	Side gear thrust washer (87-93)
14	<b>35D/CSK</b>	Differential case shim kit
15	<b>LM-501349 / LM-501314</b>	Differential case bearing set
16	<b>900425</b>	Ring gear bolt (vendu à l'unité)
17	<b>35D/CL</b>	Standard diff.case 2:73-3:31 ratio (87-89)
17	<b>35D/CH</b>	Standard diff.case 3:55-4:88 ratio (87-89)
17	<b>35D/CLC</b>	Stand.diff.case 2:73-3:31 ratio(90-93)c-clip style
17	<b>35D/CHC</b>	Stand.diff.case 3:55-4:88 ratio(90-93)c-clip style
17	<b>35D/CLABS</b>	Standard diff.case 2:73-3:31 ratio(93-06)
17	<b>35D/CHABS</b>	Standard diff.case 3:55-4:88 ratio(93-06)
18	<b>35D/XSPIN</b>	Bolt crossshaft (YJ,TJ 91-06)
19	<b>HM-88648 / HM-88610</b>	Pinion inner bearing set
20	<b>900231</b>	Pinion shim kit
20A	<b>35D/KIT</b>	Complete diff.shim kit (#8-10-12-14-16-20-22)
21	<b>35D/XS</b>	Cross shaft (roll pin) (87-89)
21	<b>35D/XSC</b>	Cross shaft (bolt type) (90-06)
22	<b>900236</b>	Differential cover gasket
23	<b>304M35</b>	Diff. cover stainless (include bolts-gasket)



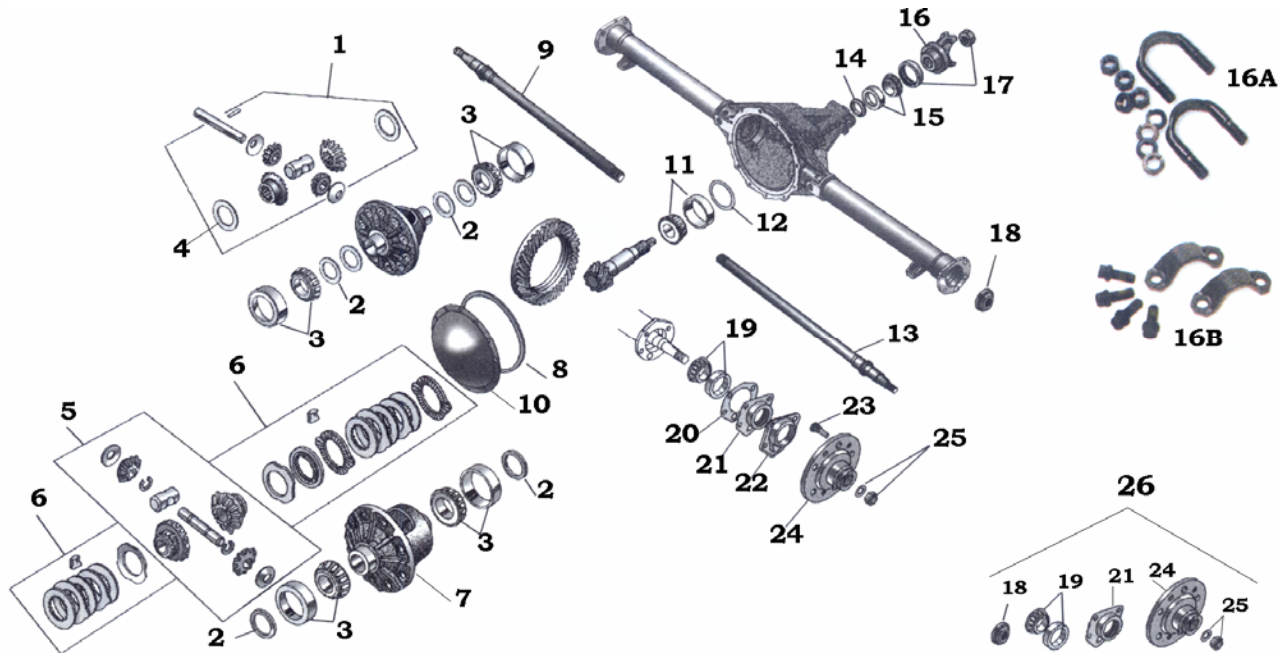
## DIFFÉRENTIEL ARRIÈRE DANA 44 REAR AXLE CJ 72-75, CJ 86, TJ 97-06



#	Part #	Description
1	<b>900101</b>	Pinion nut
1A	<b>900102</b>	Pinion nut washer
2	<b>900103</b>	Pinion yoke (26 splines) u-bolt style
2	<b>900136</b>	Pinion yoke (26 splines) strap-bolt style
2	<b>900105</b>	Pinion yoke (26 splines) strap-bolt style (TJ 98-02)
2A	<b>900107</b>	Yoke u-bolts kit
2B	<b>900108</b>	Yoke strap-bolts kit
3	<b>900106</b>	Pinion oil seal (CJ)
3	<b>900109</b>	Pinion seal (TJ)
4	<b>02872</b>	Outer pinion bearing
5	<b>02820</b>	Outer pinion cup
6	<b>900116</b>	Inner axle seal (CJ 70-75)
7	<b>900125</b>	Rear wheel bearing
8	<b>900117</b>	Outer axle shaft seal
9	<b>900118</b>	Axle shaft driver or passenger side (CJ 72-75)
9	<b>900121</b>	Axle shaft driver side (TJ 97-06)
9	<b>900122</b>	Axle shaft passenger side (TJ 97-06)
10	<b>900123</b>	Shim kit pinion
10	<b>900124</b>	Shim kit (include # 1-10-13)
10	<b>44D/KIT</b>	Shim kit (include # 1-3-10-10A-13)
10A	<b>900129</b>	Shim kit case
11	<b>31594</b>	Inner pinion bearing
12	<b>31520</b>	Inner pinion cup
13	<b>900130</b>	Differential cover gasket
14	<b>25590</b>	Differential side bearing cup
15	<b>25523</b>	Differential side bearing
16	<b>44D/SPGK30</b>	Spider gear set standard
16A	<b>44D/SWG</b>	Side gear trust washer
17	<b>900128</b>	Trac lok differential disc kit
18	<b>44D/CL</b>	Standard differential case (2:72-3:73 ratio)
18	<b>44D/CH</b>	Standard differential case (3:92-5:38 ratio)
19	<b>304M44</b>	Differential cover stainless (include bolts-gasket)
19	<b>44D/COVF</b>	Steel differential cover thick-épais 5/32



# DIFFÉRENTIEL ARRIÈRE AMC 20 REAR AXLE JEEP CJ 76-86



Item#	Part #	Description
1	<b>900322</b>	Standard differential gear set
2	<b>AMC/KIT</b>	Differential case shim kit
3	<b>LM-603049 / LM-603012</b>	Differential bearing set
4	<b>900327</b>	Side gear trush washer
5	<b>8120326</b>	Trac lock differential gear set
6	<b>AMC/TLCP</b>	Trac lock differential disc kit
7	<b>8120280</b>	Trac lock differential case (except 2:73-1 ratio)
8	<b>900325</b>	Differential cover gasket
9	<b>900379</b>	Axle shaft driver side (CJ7 76-79) Quadra trac axle 33.5"
9	<b>900370</b>	Axle shaft driver side (CJ5-7 76-81) 26.25" overall length
9	<b>900385</b>	Axle shaft driver side (CJ 82-86) Wide trac axle 28.5"
10	<b>304M20</b>	Differential cover stainless (include bolt-gasket)
11	<b>M-802048 / M-802011</b>	Inner pinion bearing set
12	<b>AMC/KIT</b>	Pinion adjusting shim kit
13	<b>900381</b>	Axle shaft passenger side (CJ7 76-79) Quadra trac axle 22"
13	<b>900371</b>	Axle shaft passenger side (CJ5-7 76-81) 29.25"
13	<b>900386</b>	Axle shaft passenger side (CJ 82-86) Wide trac axle 31.5"
14	<b>900303</b>	Collapsible pinion spacer
15	<b>M-88048 / M-88010</b>	Outer pinion bearing set
16	<b>900332</b>	Rear axle pinion yoke (u-bolt style)
16	<b>900329</b>	Rear axle pinion yoke (strap & bolt style)
16A	<b>900107</b>	Pinion yoke u-bolt kit
16B	<b>900108</b>	Pinion strap & bolt kit
17	<b>900301</b>	Pinion oil seal & nut kit
17A	<b>900330</b>	Pinion oil seal
18	<b>900311</b>	Axle shaft inner seal
19	<b>900304</b>	Axle shaft bearing set
20	<b>900309</b>	Rear axle shim .003
20	<b>900328</b>	Rear axle shim .010
20	<b>314319K</b>	Rear axle shim .020
21	<b>900305</b>	Outer axle seal
22	<b>900306</b>	Outer axle seal dust shield
23	<b>900308</b>	Rear axle wheel stud
24	<b>900307</b>	Rear axle hub with studs
25	<b>900310</b>	Rear axle nut kit (nut,washer,key)
26	<b>900331</b>	Rear axle hub kit (include #18-19-21-24-25)